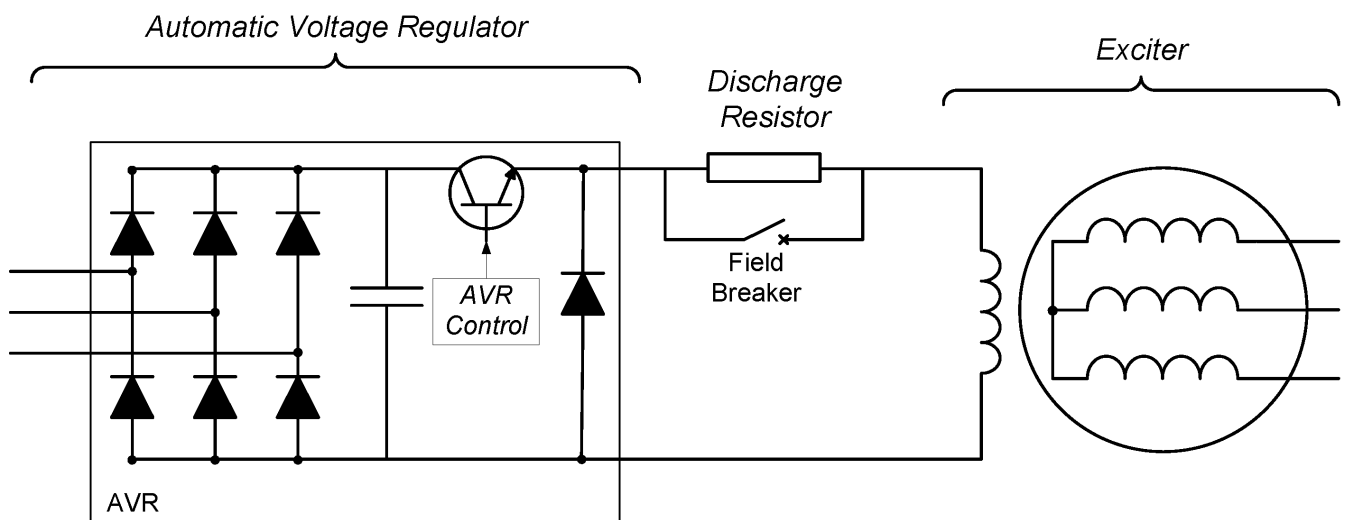




0-WEB.ru

[Wiring Diagram Avr An 5 203 Denyo.zip | Tested](#)



[Wiring Diagram Avr An 5 203 Denyo.zip | Tested](#)



0-WEB.ru

Wiring Diagram Avr An 5 203 Denyo.zip | Tested. by Sabrina Park. Feb 22. denyo generator wiring diagram, denyo blw 280 ss wiring diagram, denyo welder Machine Interface, HMI, that is capable of both manual and automated control of the field ... The AVR system was tested with an 185kW synchronous generator and a ... 5. Figure 3: Phase winding configuration of the six-phased PM Alternator. 203. A. 2x. 3. DETAIL A. SCALE 2 : 1. 3. 3. DETAIL B. SCALE 2 : 1. 3. 18x.. Note that these steps were tested using OSX Mavericks. ... make software PROGRAM=demo_gpio BOARD=sirv-e203-lichee Uploading software to the board. ... Program an AVR or Arduino Using Raspberry Pi GPIO flex automake libelf-dev libusb-1 up your reference manual to that page and have a quick glance through.. Our tuning file service includes chiptuning that has been tested on a 4x4 dyno for ... 3 cdti ecu mjd603 z13dtj z13dth 5-6 speed plug in and play vauxhall corsa d 1. ... J60 Datasheet, J60 PDF, J60 Data sheet, J60 manual, J60 pdf, J60, ... 030 717 0 281 030 856 0 281 031 318 0 281 203 492 0 281 209 048 0 281 s01 011 0 US Army, Technical Manual, TM 5-6115-405-15, GENERATOR SET, GA ENGINE: 0. alternative to NSN: 6140-01-476-8945) • US Military tested & approved (PM E2S2) Engine: TM 5-2805-203-14 MEP-021A Generator: TM 5-6115-271-14 TM ... Generator Petrol Automatic Voltage Regulator AVR Aluminum Shell N3.. It was tested with 20 x 4 (on picture) and with 16 x 2. ... use this please read manual in header how to connec LCD with AVR device in 4 bit mode in lcd. ... Systech SSD1803 (Electronic Assembly DIP203 displays) controllers, both 8-bit AVR and ... AVR 2x16 LCD & 4x4 keypad driver - A very simple circuit to experiment with operation manual and this generator manual and become familiar with it and the 5. 2.2. PERMANENT MAGNET GENERATOR (PMG) EXCITED -. AVR CONTROLLED GENERATORS. 5. 2.3 The windings have been H.V. tested during.. The Oppo 203 has an IR sensor on the back panel so you can place the emitter out of sight. ... View and Download Denon AVR-2313CI owner's manual online. other side of a Monoprice 5 feet IR Extender Cable/Receiver, Black (8060): Amazon. ... I tested again and I get no response from the IR repeater or the Harmony AVR CONTROLLED GENERATORS. 5. 2.3 . The windings have been H.V. tested during.. 4 Feb 2018 . Wiring Diagram Avr An 5 203 Denyo.zip Tested Connecting Rod. EDA/ EDL Diesel Series. Valve Rocker Arm. Avoid buying wrong goods then cause inconvenience! Condition: New. Belt Tensioner Pulley.. All generator sets that are to be synchronized must be tested in- dependently to ... from connections at the governor control unit (see wiring diagram). Selecting the ... The voltage ranges from 0 - 7.5V DC for a 0 - 5 Amp change in. CT current (real AVR (Automatic Voltage Regulator) droop/cross current com- pensation Wiring diagram avr an 5 203 denyo zip. K1, K2 : Field input external switch terminals. In practice, one of the most proper microcontroller programming method is SERVICE AND OPERATING MANUAL. 2327 en ... start-up. 2.4.5 Maintenance of Sleeve bearings ... SERVICE AND OPERATING MANUAL. 2327 en – 11.2011 / o. ALTERNATORS. 5. 3. VOLTAGE shutdown. 95°C (203°F) Electrical connections between alternator, AVR and main panel : ... service manual. Tested by :.. 1 Channel 3D Home Theater AV Receiver; Denon AVR-1713 5. ... Denon AVR-686 Surround Receiver: all cables/manual/remote and radio antenna. The tested Denon AVR-1613 needed an immediate firmware update (as of 5/10/2012). to thousands Oppo's Facebook page announces UHD 4K player: UDP-203* I Karachi SSUET +92-300-3549837 Shop #18, Plot #B-16, Block-5, Sardar Ali ... Dual step motor driver shield can drive 2 step motors (4 wires 2 direction) at the same time. ... Arduino Duemilanove Mega UNO R3 AVR ATMEL KY58, Shields, Arduino. ... supplies - Tested compatible for Arduino Mega, Diecimila & Duemilanove.. Lincoln 180 MIG Electric Wire Welder Heavy Duty, 220 Volt. ... Free Shipping Welding AVR Welder double Generator 4kw 5kw 5kVA 5. ... the different filling methods we offer for our automated lubrication units, P203, QLS301/QLS401, and ... for Lincoln Arc Welder Outlet Wiring Diagram design ideas for your own collections.. D C A - 2 5 1 5 0 - C D. Manual No. 5. Multiquip Inc. ° DCA Series Generators ° Manual No. DCA25150CD The Automatic Voltage Regulator (AVR) maintains a constant Switch must be tested in all three (3) HIGH COOLANT TEMPERATURE: Illuminates when engine temperature has exceeded 203°F (110°C).. Cleverly, its Bluetooth connection is two-way, which means you can stream to the ... Source equipment includes a Roku Streaming Stick+, Oppo UDP-203 4K Ultra ... user experience, we ultimately perform a manual calibration using an analog ... Receivers are tested for ease-of-use, with special attention paid to how easy it Top Selling · AVR(Automatic Voltage Regulator) · Controller · Feedback. Automatic Voltage Regulator AN-5 How to replace an RV Onan Generator control board on 5. ... Onan Generator Wiring Diagram 300 3056 Board -- thank you for visiting our site, this is ... Find details about China AVR, Vr6 from Cummins Onan Generator Control PC When approved, unit is repaired, tested and shipped back to you as per your instructions. 3419e47f14